

**TESCO**

# Spy shot digital camera

Owner's Manual

UK

3+



## Table of Contents

What Your Camera Includes .....	3
Computer System Requirements .....	3
A Quick Look at Your Camera .....	3
Preparing Your Camera for Use .....	4
Starting Your Camera .....	4
The Camera Modes .....	5
Installing Spy Shot Photo Manager Software .....	6
Software & Camera Driver Installation .....	7
Downloading Photos .....	9
Capturing (AVI) video using WebCam Express .....	10
Camera Maintenance .....	11
Technical Support .....	11
Appendix A: Technical Specifications .....	11
Appendix B: Troubleshooting .....	12

## Introduction

Thank you for purchasing your Spy Shot digital camera. Please read this manual carefully and in page order to get the most out of your digital camera.

## What Your Camera Includes

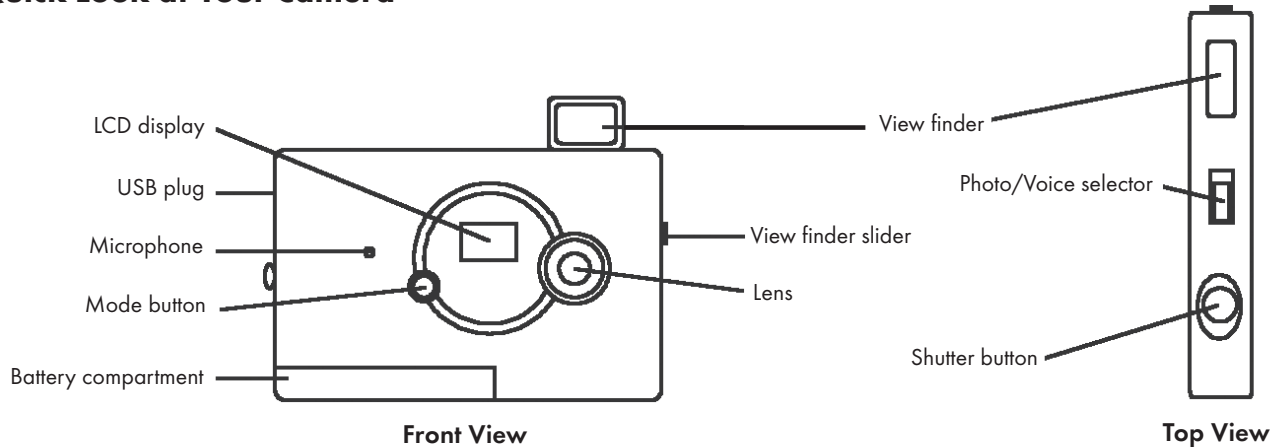
- Digital Camera
- Spy Shot Photo Manager software installation CD
- USB cable
- User's Manual
- Strap

## Computer System Requirements

To be able to download photos to your PC you will need the following minimum configuration:

- Windows 2000/MEXP
- Pentium-based PC (or equivalent)
- 80MB hard disk free space and 64MB or more RAM
- Available USB Interface
- CD-ROM Drive
- Colour display (24 bit or higher recommended)
- Not configured for Mac

## A Quick Look at Your Camera



## Preparing Your Camera for Use

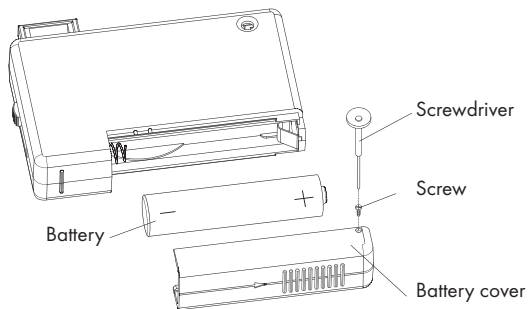
### Battery Installation

Your camera requires 1 x 1.5V AAA battery (preferably alkaline), which must be inserted as follows:

1. Open the battery compartment by sliding the cover in the direction indicated.
2. Insert the battery in accordance with the polarity (+/-) shown on the inside of the cover.
3. Close the battery compartment.

The LCD display will flash to indicate if your battery is running low in which case you will need to replace the camera's batteries before taking photos.

**Note:** If you do not intend to use your camera for an extended period, remove the battery to avoid leakage and corrosion.



### Battery Instructions

1. Batteries should be replaced by an adult.
2. Non-rechargeable batteries are not to be recharged.
3. Rechargeable batteries are to be removed from the toy before being charged.
4. Rechargeable batteries are only to be charged under adult supervision.
5. Different types of batteries or new and used batteries are not to be mixed.
6. Only batteries of the same or equivalent type as recommended are to be used.
7. Batteries are to be inserted with the correct polarity.
8. Exhausted batteries are to be removed from the toy.
9. The supply terminals are not to be short-circuited.
10. Do not dispose of in fire.



Produced after 13th August 2005

If at any time in the future you should need to dispose of this product please note that waste electrical products should not be disposed of with household waste.

Please recycle where facilities exist. Check with your Local Authority or retailer for recycling advice.

(Waste Electrical and Electronic Equipment Directive)

### WARNING

- Please download any photos you have on the camera before opening the battery compartment.
- Opening the battery compartment and/or removing the battery will erase the photos currently stored in the camera.
- Download your photos as often as possible. Photos may be lost when the batteries run low.

### Starting Your Camera

- Press and hold the mode button to start the camera.
- The camera will sound a beep to confirm that it is ready for use.
- The LCD display will indicate the number of photos that can be taken before it becomes necessary to download them to your PC.

## Taking Photos

1. Slide open the viewfinder and move the Photo/Voice selector to Photo position.
2. Compose your shot using the viewfinder. (The optimal distance between the camera and the subject is approximately 5 feet).
3. Hold the camera steady and press the shutter button to take photos.
4. The camera will beep when a photo is taken.

If the camera fails to beep or if a "0" appears on the LCD display this is an indication that the memory is full in which event no further photos can be taken until the existing photos have been downloaded from the memory of the camera.

**Note:** The LCD display indicates how many photos may still be taken at the current resolution and compression. In "Lr" resolution and "CP" compression 243 images may be taken. However the LCD counter only displays up to 99. It will continue to display 99 until less than 99 images may still be taken.

## The Camera Modes

### Photo Resolution $Lr$ and Compression $nP$

There are 2 photo resolutions to select from, Hr or Lr.

1. Hr" or "Lr" shown on the LCD display.
2. If the LCD displays "Hr" this means that the present resolution is "Lr" and in order to change to "Hr", click on the shutter button within 5 seconds.
3. If the LCD displays "Lr" this means that the present resolution is "Hr" and in order to change to "Lr", click on the shutter button within 5 seconds.
4. All photos taken after changing resolution will be taken at the new resolution.

**There are 2 photo compressions to select from, CP" or "nP"**

1. Press the mode button to select "CP" or "nP" shown on the LCD display.
2. If the LCD displays "CP" this means that the present compression is "nP" and in order to change to "CP", click on the shutter button within 5 seconds.
3. If the LCD displays "nP" this means that the present compression is "CP" and in order to change to "nP", click on the shutter button within 5 seconds.
4. All photos taken after changing compression will be at the new compression.

The photo compression and resolution settings determine the number of photos and the amount of memory required for each photo. The following table tells you how many photos can be taken based on the image resolution and compression:

Resolution	Compression	
Hr	nP	20 photos
Lr	CP	243 photos
Hr	CP	60 photos
Lr	nP	81 photos

### Continuous Shot Mode $CL$

1. Press the mode button to select  $CL$  shown on the LCD display.
2. Hold the shutter button down.
3. The camera will beep 3 times (once for each photo taken).
4. Continuous photo shooting may fail under poor lighting conditions.

**Note:** Photos taken in continuous shot mode will be saved in JPEG format.

## Self-Timer 5t

The photographer can be included in a photo by using this feature to delay the time between pressing the shutter and taking the photo.

1. Press the mode button to select the 5t icon shown on the LCD screen.
2. Press the shutter button to start a 10 second count down (the LCD will flash once a second).
3. After 10 seconds a photo will be taken.

## Delete (Last Photo) ㊄

To Delete The Last Photo Taken:

1. Press the mode button to select the ㊄ icon shown on the LCD screen.
2. Press the shutter button and the photo counter will flash
3. Press the shutter button again within 5 seconds and the last photo will be deleted.
4. The LCD counter will display the updated number of photos that can be taken at the current resolution and compression.

## Delete All ㊄R

To Delete The Last Photo Taken:

1. Press the mode button to select the ㊄R icon shown on the LCD screen.
2. Press the shutter button and the photo counter will flash.
3. Press the shutter button again within 5 seconds and all photos in the camera will be deleted.
4. The LCD counter will be reset to show the number of photos that can be taken at the current resolution and compression.

## Frequency F5

The camera has 2 Frequency settings, 50HZ for the U.S. and Asia and 60HZ for Europe and Japan. To set the camera for the correct frequency:

1. Press the mode button to select the F5 icon for 60HZ or the F5 icon for 50HZ shown on the LCD screen.
2. Press the shutter button to change the frequency setting.

**The default setting is 50Hz**

## Power Off ㊄F

1. Press the mode button to select ㊄F shown on the LCD screen.
2. Press the shutter button and the camera will switch off.

## Energy Save Mode

To conserve battery power, if the camera is not used for 30 seconds, it will automatically switch off.

## Video Mode Ri

To Take Video Clips (Avi Format)

1. Press the mode button to select Ri shown on the LCD screen.
2. Press and hold down the shutter button until you want to stop shooting or until the memory is full. While the camera is shooting the LCD counter will rapidly count down.

## Installing Spy Shot Photo Manager Software

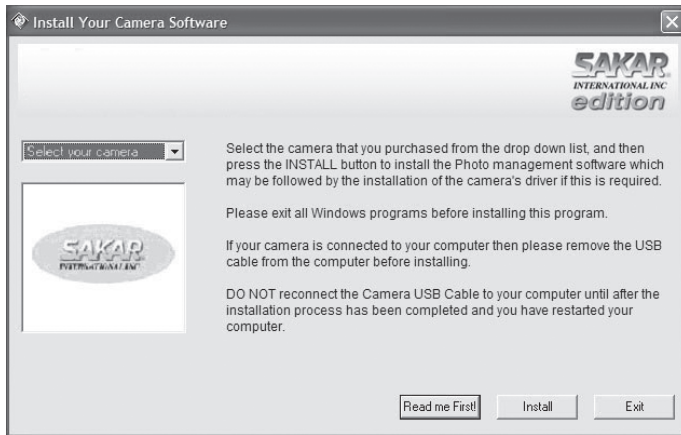
Before attempting to install the software, make sure that you do not have the camera or the USB cable attached to your computer. This may cause your installation to fail. Do not connect the cable to the computer until the entire installation process has been completed. We suggest you follow

the step by step instructions that will appear on your screen during the installation process.

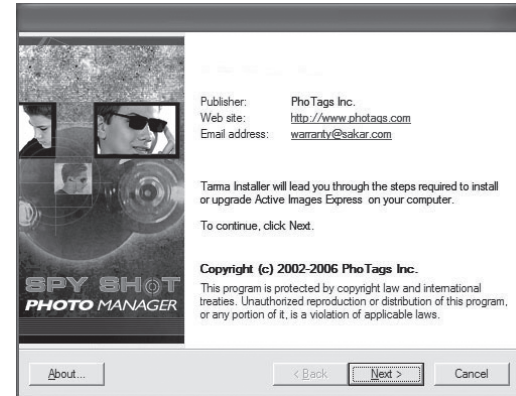
**NOTE:** To achieve maximum clarity, the optimal distance between the camera and the subject is 5 feet.

## Software & Camera Driver Installation

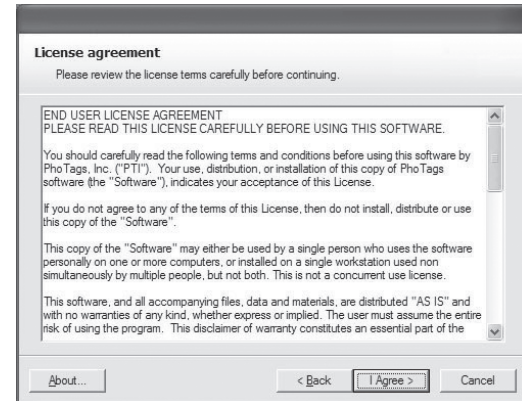
1. Insert the CD into your CD-ROM drive. Ensure that your camera is not connected to the computer.
2. On the “Install your camera software” screen, select your camera model from the drop down list and click the **“Install”** button to install “Spy Shot Photo Manager” and “PhoTag Webcam Express”.



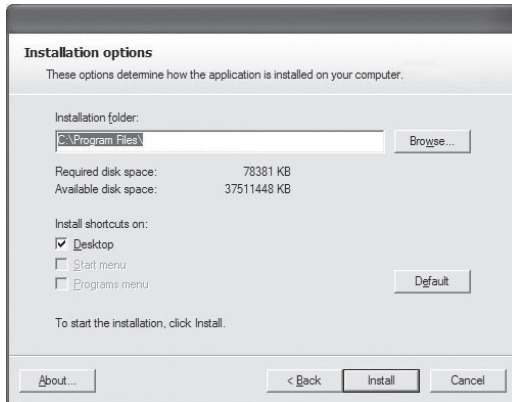
3. On the “Spy Shot Photo Manager” screen, click the **“Next”** button.



4. Please review the license terms and click the **“Agree”** button to continue.



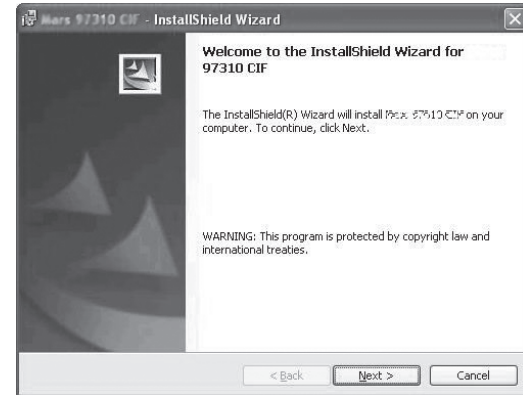
5. Let the “Spy Shot Photo Manager” installer create the folder where the program will be installed, and then click **“Install”**.



6. Click **“Finish”** to let the “Spy Shot Photo Manager” installer finish the installation program.



7. This will automatically launch the Install shield for the camera driver. Click **“Next”** to continue.



8. Once the program has finished installing you will have to restart your computer.





9. Congratulations! You have successfully installed the “Spy Shot Photo Manager” software, the “PhoTags WebCam Express” and the Camera driver.

## Downloading Photos

Use the “Spy Shot Photo Manager” program to import photos from your camera.

1. Plug one end of the USB cable into the USB slot on your camera.
2. Plug the other end of the USB cable into a USB port on your computer.
3. Make sure that your camera is connected and turned on.
4. Double-click the “**Spy Shot Photo Manager**” icon that is on your desktop to launch the “Spy Shot Photo Manager” program.

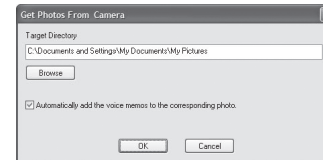


## Desktop Icon

5. Click on the “**Get Photos**” button on the Main Menu.



6. The “Get photos from Spy Shot camera” window will appear.
  - a. Select a folder to place your photos, sounds and videos.
  - b. Select the “**Automatically add the voice memos to the corresponding photo**” option to add a sound memo into your picture. To download pictures and sounds as separate files uncheck the “**Automatically add the voice memos to the corresponding photo**” check box.
  - c. Click the “**OK**” button.



7. The photos you have just imported will appear in the “Select Photos” mode’s main window.



## Capturing (AVI) Video Using Webcam Express

Now that you have your camera installed you can use it to capture short movies called AVI files. The length of time you can record an AVI file while the camera is connected to your computer will vary, depending on how much hard drive space you will use to save the file. Please take note that these AVI files take up a lot of hard drive space. This is done through the PhoTags WebCam Express program. This next section will walk you through capturing an AVI file.

1. Double-click the **“WebCam Express”** icon that is on your desktop to launch the **“PhoTags WebCam Express”** program. Adjust your WebCam to the desired position. The screen will display what the WebCam **“sees”**.



### Desktop Icon

2. To add audio to your video, plug a microphone into your computer.



3. Click the **“Capture”** button to start recording the video. The elapsed recording time will appear under the video.



4. Click the **“Pause”** button to pause recording. To continue recording click the **“Capture”** button again.
5. To finish recording click the **“Stop”** button.
6. Videos will automatically be saved in a default directory. You can view them in the **“Playback”** window.



### Note:

1. Taking snapshots: to learn how to capture JPEG snapshots from your WebCam or from your existing AVI movies, go to the **“Take Snapshots”** section in the Quick Start help.
2. To learn how to change the user settings, go to the **“Set User Preferences”** section in the Quick Start help.

## Camera Maintenance

Your camera is a delicate instrument - please handle it with care.

## Technical Support

For technical support issues please visit our website at:

**www.sakarhelp.com**. You can find manuals, software and FAQ's at the website. Can't find what you are looking for? Fill out an online ticket and one of our technical support team members will answer questions or call 877-397-8200 or 732-476-5098 to access our technical support information on the phone. For question on warranty information please email: **warranty@sakar.com**

## Appendix A: Technical Specification

Image Sensor	CMOS Sensor 100K (352 x 288) pixels
Resolution	352 x 288(CIF)
Memory	1M x 16 bytes SDRAM
Number of pictures	nP:Hr 20 CIF/Lr 81 QCIF CP:Hr 60 CIF/ Lo 243 QCIF
Lens	f=3.6/F2.4
Focus Range	40cm to Infinity
Shutter Range	1.5 ~ 1/2400 second
Status LCD display	Numeric LCD
Self-Timer	Timer with 10 sec delay
Video mode	24 bits (R/G/B)
Video frame rate	30 fps (Lo), 10 fps(Hi)
Power source	1 x 1.5V AAA alkaline (not Included)
Auto power off	30 sec.
PC interface	USB
Operation System	Windows 98/2000/Me/XP
Weight	Approx. 80g (without batteries)
Dimension	Approx. 80g (without batteries)

## Appendix B: Troubleshooting

**Q: I have taken photos, but my computer says “No photos in camera.” What do I do?**

- First, ensure that you have taken photos with your camera. Press the shutter button a few times to take some sample photos and try again. If you still get a no photos error, this indicates that the software was not installed correctly or you may not meet the minimum system requirements.

### System Requirements

At least a Pentium II 300MHz, AMD Athlon 300MHz, or a Celeron 400MHz or higher, at least 64 MB of RAM. Please note that the older AMD K6 processors will not work. More information about determining your computer’s specifications can be found in the General Computer Information section. If you have determined that you have pictures in your camera and you meet the system requirements, follow the steps below to reinstall the software.

### Software Re-installation

1. First install the software. Click on **Start, Settings, Control Panel and Add/Remove programs**. You will need to remove Spy Shot Photo Manager. After removing it, restart your computer. If your camera is connected, disconnect it.
2. Now reinstall the software. Insert the CD that came with your camera. It should automatically run the installation.
3. Restart the computer.
4. Once your computer is back up, plug the camera into your computer’s USB port.
5. Right-click on the **“My Computer”** icon. **Select Properties**.
  - If you are running Windows ME: Click on **Device Manager**.
  - If you are running Windows 2000 or XP: Click on **hardware and then Device Manager**.

- If the camera is installed correctly, there will be a category listed for “Imaging Devices” and clicking on the **“+”** next to it should reveal your camera. If not, you will likely see “Digital Still Camera” under “Other Devices” with a brightly coloured marking next to it indicating it is not functioning correctly.
- If you are running Windows ME: Right click on the **non functioning device** and select **Remove**.

If you are running Windows 2000 or XP: Right click on the non functioning device and select uninstall. If a warning pops up, press OK.

6. Restart your computer again. Your camera is now successfully installed.

### Q: How do I make sure I don’t lose important pictures?

- Your camera uses flash memory which requires a constant electric current to store your photos. Should your camera lose power (for instance if the battery dies or is removed) all stored pictures will be lost. We recommend always downloading your photos to your computer as soon as possible to prevent unintentional data loss.

### Q: I have a MAC, will your camera work?

- Unfortunately, the system requirements for our cameras require a Windows operating system. There is no Mac driver available and no current plan to develop.

### Warning

1. Not suitable for children under the age of 36 months as small part(s) may be generated – choking hazard.
2. Packaging materials are not toys. Please remove all packaging and packing tags / wires before giving this toy to your child.
3. Adult Assembly required. For use under adult supervision.
4. Colour, designs and decorations may vary from those shown in the photographs.
5. Please take note: As an extra precaution, check this toy regularly for signs of wear or damage.

**TESCO Quality:** We are happy to refund or replace any TESCO product which falls below the high standard you expect. Just ask any member of staff. This does not affect your statutory rights.

### We are here to help:

TESCO Stores Ltd., Cheshunt EN8 9SL, UK.

Freephone: 0800 50 55 55

Shop on-line at: [www.tesco.com](http://www.tesco.com)

Produced in China for TESCO Stores Ltd.

© Tesco 2006.

Please retain for future reference.